



Post Office Box 1789  
Amarillo, Texas 79105  
2401 Sundown Lane (79118)  
Ph. 806 622 1273  
Fax 806 622 3258

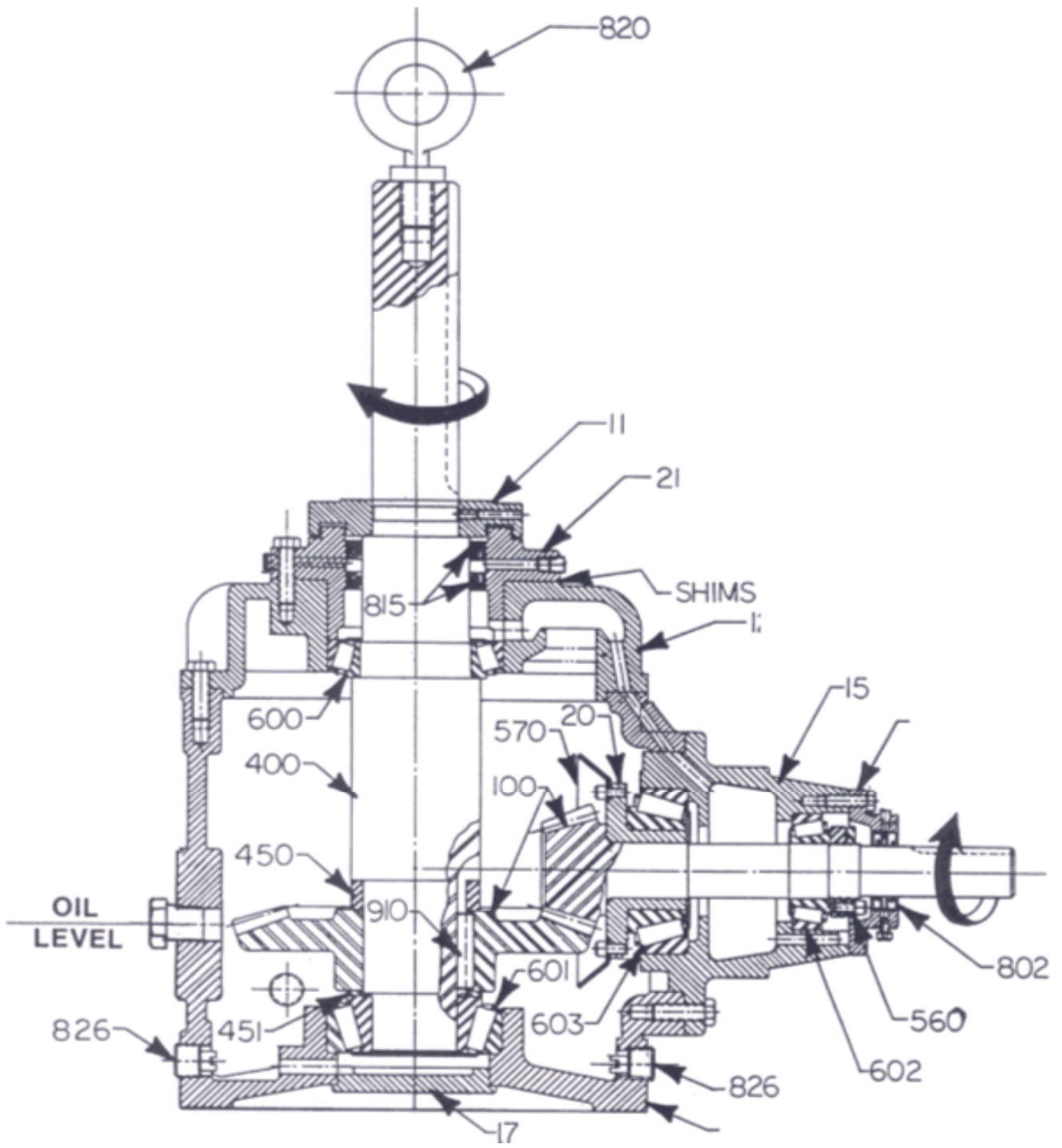
## **Instructions for Using Parts List for Single Reduction Fan Drives**

1. These parts lists are for current production models from the model 65 - 175 and A20 - A27.  
Contact Amarillo Gear Company for prices.
2. To make sure you get the correct parts, always provide the serial number of the gear drive when ordering parts.
3. A general single reduction fan drive drawing is provided for parts identification.



A member of The Marmon Group of companies

Copyright ©2003 Amarillo Gear Co.





Post Office Box 1789  
 Amarillo, Texas 79105  
 2401 Sundown Lane (79118)  
 Ph. 806 622 1273  
 Fax 806 622 3258

<b>Model 65A* Parts List</b>		
<b>Ref. No.</b>	<b>Part No.</b>	<b>Description</b>
10	F1-10	Gear Case
11	F1-11	Upper Seal Plate
12	F1-12	Vertical Carrier
15	F1-15A	Horizontal Carrier
16	F1-16A	Horizontal Seal Plate
17	F2-17B	Bottom Plug
18	F1-18	Inspection Plate
20	F1-20A	Bearing Bushing
21	F1-21	Vert Seal Carrier
400	21035	Output Shaft
422	N/A	Gear Mount
450	450-65	Above Gear Spacer
451	451-65	Under Gear Spacer
560	2-N06/1-W06	Horiz Locknut Set
570	21010	Oil Slinger
+600	JLM104910/48	Vert Upper Bearing
+601	55437/187C	Vert Lower Bearing
+602	M86610/49	Horiz Outer Bearing
+603	HM88610/48	Horiz Inner Bearing
+802	SH 65	Standard Horiz Seal Set - CR Seal #9837, qty 2
+815	SV 65	Standard Vertical Seal Set - Nat'l Seal #450279, qty 2
820	3/4 X 1-1/4	Eye Bolt
823	M 313650	Breather Plug
+824	SM 65	Vertical Shim Set
+825	G 65	Gasket Set (below S/N 231989)
	51531	Loctite Gasket Sealant 50ml tube (S/N 231989 & above)
826	PP .375SQ	Oil Drain Plug
910	MK 7498-1	Gear Key
---	P1030-3	Oil Level Sight Gauge
+100	100	Spiral Bevel Gear Set, ratios 2.5:1 thru 4.5:1
+100	100	Spiral Bevel Gear Set, ratios 2:1, 5:1

\* For Model 65 part prices contact factory

+Recommended Spare Parts

*MINIMUM ORDER VALUE - \$100.00 NET.*

*SOME PART NUMBERS DETERMINED BY RATIO AND/OR OPTIONAL FEATURES.  
 ALWAYS PROVIDE SERIAL NUMBER OF DRIVE WHEN ORDERING PARTS FOR  
 VERIFICATION.*



<b>Model 85 Parts List</b>		
<b>Ref. No.</b>	<b>Part No.</b>	<b>Description</b>
10	F2-10	Gear Case
11	F2-11	Upper Seal Plate
12	F2-12	Vertical Carrier
15	F2-15	Horizontal Carrier
16	F2-16A	Horizontal Seal Plate
17	F2-17B	Bottom Plug
18	S-18	Inspection Plate
20	F2-20	Bearing Bushing
21	F2-21	Vert Seal Carrier
400	22009	Output Shaft
422	N/A	Gear Mount
450	450-85	Above Gear Spacer
451	451-85	Under Gear Spacer
560	1231	Horiz Locknut Set
570	22008	Oil Slinger
+600	JLM710910/49	Vert Upper Bearing
+601	JHM807012/45	Vert Lower Bearing
+602	25821/77	Horiz Outer Bearing
+603	JHM807012/45	Horiz Inner Bearing
+802	SH 85	Standard Horiz Seal Set - CR Seal #12456, qty 2
+815	SV 85	Standard Vertical Seal Set - CR Seal #24897, qty 2
820	3/4 X 1-1/4	Eye Bolt
823	M 313650	Breather Plug
+824	SM 85	Vertical Shim Set
+825	GC 85	Gasket Set-Complete (below S/N 231989)
	51531	Loctite Gasket Sealant 50ml tube (S/N 231989 & above)
826	PP .5SQ	Oil Drain Plug
910	MK 7498-2	Gear Key
---	M AS240	O-ring for F2-21
---	P1030-4	Oil Level Sight Gauge
+100	100	Spiral Bevel Gear Set, ratios 3.25:1 thru 6:1
+100	100	Spiral Bevel Gear Set, ratios 3:1, 6.5:1

+Recommended Spare Parts

*MINIMUM ORDER VALUE - \$100.00 NET.*

*SOME PART NUMBERS DETERMINED BY RATIO AND/OR OPTIONAL FEATURES.  
ALWAYS PROVIDE SERIAL NUMBER OF DRIVE WHEN ORDERING PARTS FOR  
VERIFICATION.*



Post Office Box 1789  
 Amarillo, Texas 79105  
 2401 Sundown Lane (79118)  
 Ph. 806 622 1273  
 Fax 806 622 3258

Model 110 Parts List		
Ref. No.	Part No.	Description
10	F3-10A	Gear Case
11	F3-11	Upper Seal Plate
12	F3-12	Vertical Carrier
15	F3-15A	Horizontal Carrier
16	F3-16A	Horizontal Seal Plate
17	F4-17	Bottom Plug
18	E-18	Inspection Plate
20	F3-20	Bearing Bushing
21	F4-21	Vert Seal Carrier
400	23009	Output Shaft
422	N/A	Gear Mount
450	450-110	Above Gear Spacer
451	451-110	Under Gear Spacer
560	2230	Horiz Locknut Set
570	23008	Oil Slinger
+600	LM814810/49	Vert Upper Bearing
+601	H715311/45	Vert Lower Bearing
+602	332/6	Horiz Outer Bearing
+603	H913810/42	Horiz Inner Bearing
+802	SH 110	Standard Horiz Seal Set - CR Seal #15141, qty 2
+815	SV 110	Standard Vertical Seal Set - CR Seal #29871, qty 2
820	3/4 X 1-1/4	Eye Bolt
823	M 313650	Breather Plug
+824	SM 110	Vertical Shim Set
+825	GC 110	Gasket Set-Complete (below S/N 231989)
	51531	Loctite Gasket Sealant 50ml tube (S/N 231989 & above)
826	PP .75HX	Oil Drain Plug
910	MK 7498-3	Gear Key
---	M AS245	O-ring for F-21
---	P1030-4	Oil Level Sight Gauge
+100	100	Spiral Bevel Gear Set, ratios 3.5:1, 4:1 thru 8:1
+100	100	Spiral Bevel Gear Set, ratio 3.75:1

+Recommended Spare Parts

MINIMUM ORDER VALUE - \$100.00 NET.

SOME PART NUMBERS DETERMINED BY RATIO AND/OR OPTIONAL FEATURES.  
 ALWAYS PROVIDE SERIAL NUMBER OF DRIVE WHEN ORDERING PARTS FOR  
 VERIFICATION.



<b>Model 135 Parts List</b>		
<b>Ref. No.</b>	<b>Part No.</b>	<b>Description</b>
10	F4-10A	Gear Case
11	F4-11	Upper Seal Plate
12	F4-12	Vertical Carrier
15	F4-15B	Horizontal Carrier
16	F4-16A	Horizontal Seal Plate
17	F4-17	Bottom Plug
18	E-18	Inspection Plate
20	F4-20	Bearing Bushing
21	F4-21	Vert Seal Carrier
400	24009	Output Shaft
422	F4-22	Gear Mount
450	450-135	Above Gear Spacer
451	451-135	Under Gear Spacer
560	3268	Horiz Locknut Set
570	24008	Oil Slinger
+600	LM814810/49	Vert Upper Bearing
+601	H715311/45	Vert Lower Bearing
+602	JM205110/49	Horiz Outer Bearing
+603	HH814510/47	Horiz Inner Bearing
+802	SH 135	Standard Horiz Seal Set - CR Seal #18733, qty 2
+815	SV 135	Standard Vertical Seal Set - CR Seal #29871, qty 2
820	3/4 X 1-1/4	Eye Bolt
823	M 313650	Breather Plug
+824	SM 135	Vertical Shim Set
+825	GC 135	Gasket Set-Complete (below S/N 231989)
	51531	Loctite Gasket Sealant 50ml tube (S/N 231989 & above)
826	PP .75HX	Oil Drain Plug
910	MK 7498-4	Gear Key
---	M AS245	O-ring for F4-21
---	P1030-4	Oil Level Sight Gauge
+100	100	Spiral Bevel Gear Set, ratios 4:1, 4.5:1 thru 8:1, 9:1
+100	100	Spiral Bevel Gear Set, ratio 8.5:1

+Recommended Spare Parts

*MINIMUM ORDER VALUE - \$100.00 NET.*

*SOME PART NUMBERS DETERMINED BY RATIO AND/OR OPTIONAL FEATURES.  
ALWAYS PROVIDE SERIAL NUMBER OF DRIVE WHEN ORDERING PARTS FOR  
VERIFICATION.*



Post Office Box 1789  
 Amarillo, Texas 79105  
 2401 Sundown Lane (79118)  
 Ph. 806 622 1273  
 Fax 806 622 3258

Model 155 Parts List		
Ref. No.	Part No.	Description
10	F6-10	Gear Case
11	F5-11	Upper Seal Plate
12	F6-12	Vertical Carrier
15	F5-15	Horizontal Carrier
16	F6-16A	Horizontal Seal Plate
17	F5-17	Bottom Plug
18	E-18	Inspection Plate
20	F5-20	Bearing Bushing
21	F6-21	Vert Seal Carrier
400	26009	Output Shaft
422	F6-22	Gear Mount
450	450-155	Above Gear Spacer
451	451-155	Under Gear Spacer
560	3268	Horiz Locknut Set
570	24008	Oil Slinger
+600	JM718110/49	Vert Upper Bearing
+601	9321/80	Vert Lower Bearing
+602	JHM807012/45	Horiz Outer Bearing
+603	9321/80	Horiz Inner Bearing
+802	SH 155	Standard Horiz Seal Set - CR Seal #18733, qty 2
+815	SV 155	Standard Vertical Seal Set - CR Seal #34888, qty 2
820	3/4 X 1-1/4	Eye Bolt
823	M 313650	Breather Plug
+824	SM 155	Vertical Shim Set
+825	GC 155	Gasket Set-Complete (below S/N 231989)
	51531	Loctite Gasket Sealant 50ml tube (S/N 231989 & above)
826	PP .75HX	Oil Drain Plug
910	MK 7498-5	Gear Key
---	M AS253	O-ring for F6-21
---	P1030-4	Oil Level Sight Gauge
+100	100	Spiral Bevel Gear Set, ratios 5:1 thru 8.5:1
+100	100	Spiral Bevel Gear Set, ratio 9:1

+Recommended Spare Parts

*MINIMUM ORDER VALUE - \$100.00 NET.*

*SOME PART NUMBERS DETERMINED BY RATIO AND/OR OPTIONAL FEATURES.  
 ALWAYS PROVIDE SERIAL NUMBER OF DRIVE WHEN ORDERING PARTS FOR  
 VERIFICATION.*



Post Office Box 1789  
 Amarillo, Texas 79105  
 2401 Sundown Lane (79118)  
 Ph. 806 622 1273  
 Fax 806 622 3258

Model 175 Parts List		
Ref. No.	Part No.	Description
10	F5-10	Gear Case
11	F5-11	Upper Seal Plate
12	F5-12	Vertical Carrier
15	F5-15	Horizontal Carrier
16	F6-16A	Horizontal Seal Plate
17	F5-17	Bottom Plug
18	E-18	Inspection Plate
20	F5-20	Bearing Bushing
21	F5-21	Vert Seal Carrier
400	25009	Output Shaft
422	L22 3.75	Gear Mount
450	450-175	Above Gear Spacer
451	451-175	Under Gear Spacer
560	3268	Horiz Locknut Set
570	24008	Oil Slinger
+600	JM718110/49	Vert Upper Bearing
+601	9321/80	Vert Lower Bearing
+602	JHM807012/45	Horiz Outer Bearing
+603	9321/80	Horiz Inner Bearing
+802	SH 175	Standard Horiz Seal Set - CR Seal #18733, qty 2
+815	SV 175	Standard Vertical Seal Set - CR Seal #34888, qty 2
820	3/4 X 1-1/4	Eye Bolt
823	M 313650	Breather Plug
+824	SM 175	Vertical Shim Set
+825	GC 175	Gasket Set-Complete (below S/N 231989)
	51531	Loctite Gasket Sealant 50ml tube (S/N 231989 & above)
826	PP .75HX	Oil Drain Plug
910	MK 7498-5	Gear Key
---	M AS253	O-ring for F5-21
---	P1030-4	Oil Level Sight Gauge
+100	100	Spiral Bevel Gear Set, ratios 6:1 thru 9.5:1
+100	100	Spiral Bevel Gear Set, ratio 5.5:1

+Recommended Spare Parts

MINIMUM ORDER VALUE - \$100.00 NET.

SOME PART NUMBERS DETERMINED BY RATIO AND/OR OPTIONAL FEATURES.  
 ALWAYS PROVIDE SERIAL NUMBER OF DRIVE WHEN ORDERING PARTS FOR  
 VERIFICATION.





<b>Model A20 Parts List</b>		
<b>Ref. No.</b>	<b>Part No.</b>	<b>Description</b>
10	MF2-10	Gear Case
11	MF2-11	Upper Seal Plate
12	F2-12	Vertical Carrier
15	F2-15	Horizontal Carrier
16	F2-16A	Horizontal Seal Plate
18	N/A	Inspection Plate
20	F2-20	Bearing Bushing
21	MF2-21	Vertical Seal Carrier
100	100	Spiral Bevel Gear Set
400	29006	Output Shaft
422	N/A	Gear Mount
450	450-A20	Above Gear Spacer
451	451-A20	Under Gear Spacer
560	1231	Horiz Locknut Set
570	22008	Oil Slinger
600	JLM710910/49	Vert Upper Bearing
601	JHM807012/45	Vert Lower Bearing
602	25821/77	Horiz Outer Bearing
603	JHM807012/45	Horiz Inner Bearing
802	SH A20	Standard Horiz Seal Set - CR Seal #12456, qty 2
815	SV A20	Standard Vertical Seal Set - CR Seal #24897, qty 2
820	3/4 X 1-1/4	Eye Bolt
823	M313650	Breather Plug
824	SM A20	Vertical Shim Set
825	G A20	Gasket Set (below S/N 231989)
	51531	Loctite Gasket Sealant 50ml (S/N 231989 & above)
826	PP .5M	Oil Drain Plug
910	MK 7498-2	Gear Key
---	N/A	Horizontal Shim Set
---	M AS140	Seal Plate O-ring
---	N/A	Seal Carrier O-ring
---	N/A	MF3-16 O-ring
---	N/A	MF3-15 O-ring

+Recommended Spare Parts

*MINIMUM ORDER VALUE - \$100.00 NET.*

*SOME PART NUMBERS DETERMINED BY RATIO AND/OR OPTIONAL FEATURES. ALWAYS PROVIDE SERIAL NUMBER OF DRIVE WHEN ORDERING PARTS FOR VERIFICATION.*



<b>Model A22 Parts List</b>		
<b>Ref. No.</b>	<b>Part No.</b>	<b>Description</b>
10	MF3-10	Gear Case
11	MF3-11	Upper Seal Plate
12	MF3-12	Vertical Carrier
15	MF3-15	Horizontal Carrier
16	MF3-16	Horizontal Seal Plate
18	N/A	Inspection Plate
20	N/A	Bearing Bushing
21	MF3-21	Vertical Seal Carrier
100	100	Spiral Bevel Gear Set
400	27008	Output Shaft
422	F4-22	Gear Mount
450	450-A22	Above Gear Spacer
451	451-A22	Under Gear Spacer
560	2230	Horiz Locknut Set
570	MF3-20	Oil Slinger
600	34306/492A	Vert Upper Bearing
601	78551/250	Vert Lower Bearing
602	3820/3877	Horiz Outer Bearing
603	72487/188C	Horiz Inner Bearing
802	13568	Standard Horiz Seal -CR Seal
815	SV M3	Standard Vertical Seal Set - CR Seal #29871, qty 2
820	E .5 X 1.5	Eye Bolt
823	M313650	Breather Plug
824	SMV M3	Vertical Shim Set
825	N/A	Gasket Set
826	PP .75MHH	Oil Drain Plug
910	MK 7498-4	Gear Key
---	SMH M3	Horizontal Shim Set
---	M AS334	Seal Plate O-ring
---	M AS247	Seal Carrier O-ring
---	M AS155	MF3-16 O-ring
---	M AS358	MF3-15 O-ring

+Recommended Spare Parts

*MINIMUM ORDER VALUE - \$100.00 NET.*

*SOME PART NUMBERS DETERMINED BY RATIO AND/OR OPTIONAL FEATURES. ALWAYS PROVIDE SERIAL NUMBER OF DRIVE WHEN ORDERING PARTS FOR VERIFICATION.*



<b>Model A27 Parts List</b>		
<b>Ref. No.</b>	<b>Part No.</b>	<b>Description</b>
10	MF4-10	Gear Case
11	MF4-11	Upper Seal Plate
12	MF4-12	Vertical Carrier
15	F5-15	Horizontal Carrier
16	F6-16A	Horizontal Seal Plate
18	E-18	Inspection Plate
20	F5-20	Bearing Bushing
21	MF4-21	Vertical Seal Carrier
100	100	Spiral Bevel Gear Set
400	28009	Output Shaft
422	L22 3.75	Gear Mount
450	450-A27	Above Gear Spacer
451	451-A27	Under Gear Spacer
560	3268	Horiz Locknut Set
570	24008	Oil Slinger
600	JM718110/49	Vert Upper Bearing
601	9321/80	Vert Lower Bearing
602	JHM807012/45	Horiz Outer Bearing
603	9321/80	Horiz Inner Bearing
802	SH A27	Standard Horiz Seal Set - CR Seal #18733, qty 2
815	SV A27	Standard Vertical Seal Set - CR Seal #34888, qty 2
820	3/4 X 1-1/4	Eye Bolt
823	M313650	Breather Plug
824	SM A27	Vertical Shim Set
825	G A27	Gasket Set (below S/N 231989)
	51531	Loctite Gasket Sealant 50ml tube (S/N 231989 & above)
826	PP .75MHH	Oil Drain Plug
910	MK 7498-5	Gear Key
---	N/A	Horizontal Shim Set
---	M AS337	Seal Plate O-ring
---	M AS161	Seal Carrier O-ring
---	N/A	MF3-16 O-ring
---	N/A	MF3-15 O-ring

+Recommended Spare Parts

*MINIMUM ORDER VALUE - \$100.00 NET.*

*SOME PART NUMBERS DETERMINED BY RATIO AND/OR OPTIONAL FEATURES. ALWAYS PROVIDE SERIAL NUMBER OF DRIVE WHEN ORDERING PARTS FOR VERIFICATION.*