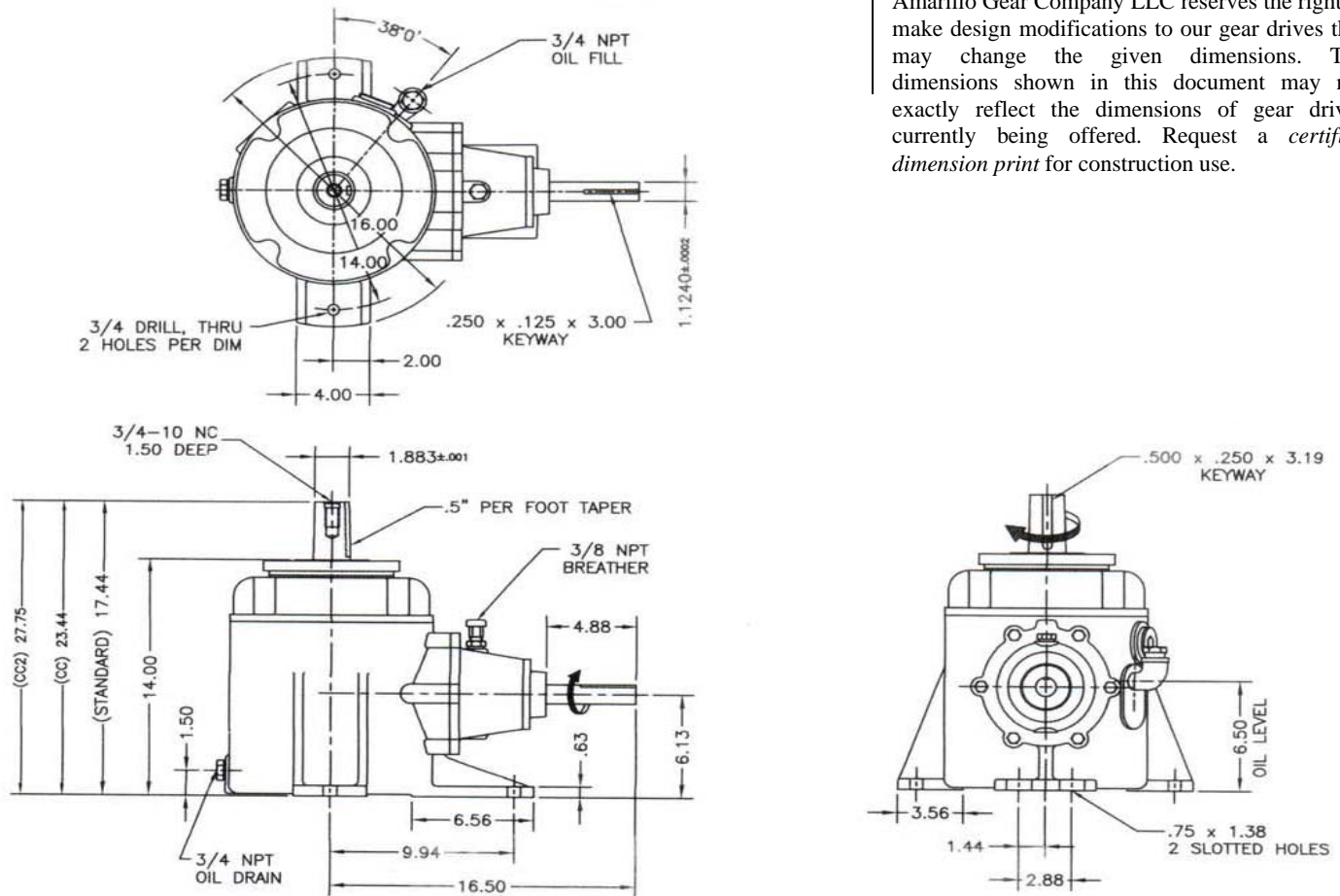


Amarillo Series Fan Drive

Model A20

Amarillo Gear Company LLC reserves the right to make design modifications to our gear drives that may change the given dimensions. The dimensions shown in this document may not exactly reflect the dimensions of gear drives currently being offered. Request a *certified dimension print* for construction use.



SERVICE HORSEPOWER RATINGS (2.0 SERVICE FACTOR)

| Input (RPM) | Nominal Ratio | | | | |
|-------------|---------------|------|------|------|------|
| | 2.71 | 3.27 | 3.78 | 4.11 | 4.89 |
| 1750 | 35 | 35 | 30 | 25 | 20 |

OIL TYPE: _____ ISO 220 / AGMA 5 or 5S / No EP additives
 OIL CAPACITY: _____ 2 gallons (7.5 L)
 WEIGHT, DOMESTIC SHIPPING: _____ 200 lbs.
 WEIGHT, EXPORT SHIPPING w/EXPORT BOX: _____ 240 lbs.
 EXPORT BOX DIMENSIONS (L x W x H): _____ 29 x 19 x 27 (inches)

Amarillo Gear Company can provide a matching output shaft when necessary. A shaft drawing or schematic information will be necessary. See catalog for further details.