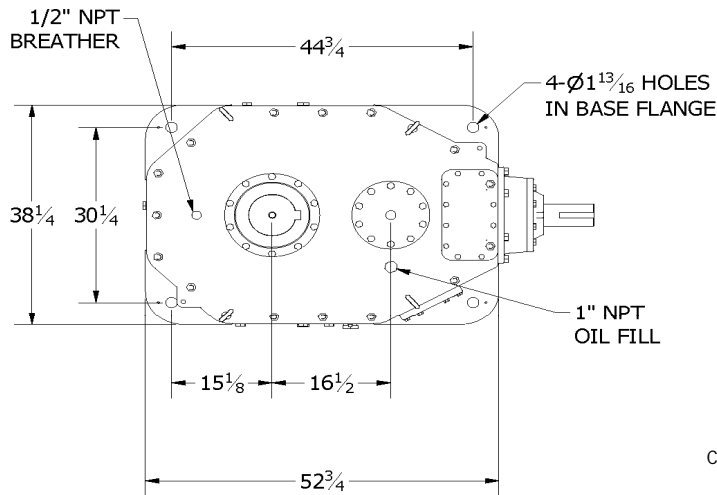


Amarillo Series Fan Drive

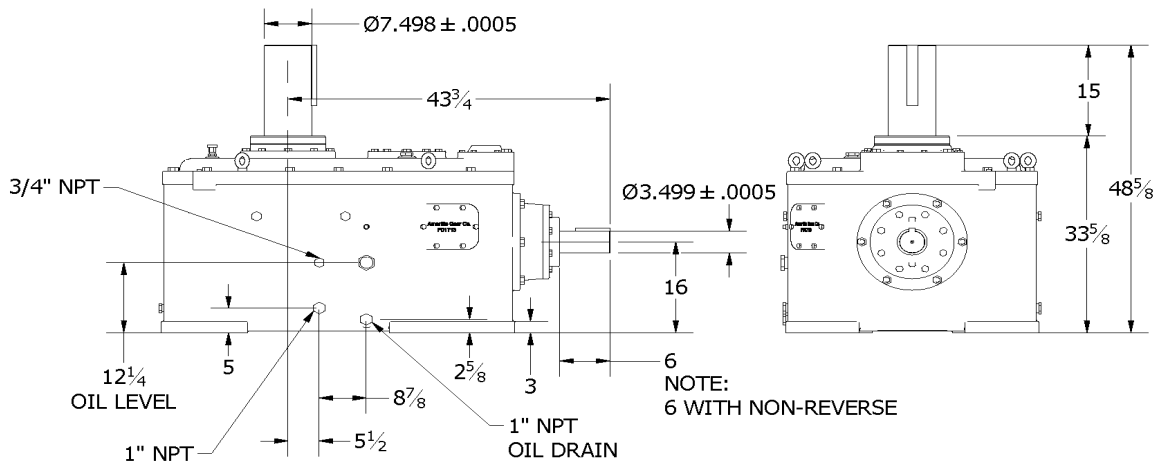
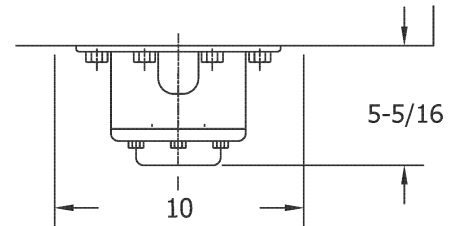
Model 2016



Amarillo Gear Company LLC reserves the right to make design modifications to our gear drives that may change the given dimensions. The dimensions shown in this document may not exactly reflect the dimensions of gear drives currently being offered. Request a *certified dimension print* for construction use.

OIL PUMP (OPTION) MINIMUM CLEARANCE:
LOCATED BENEATH THE INTERMEDIATE SHAFT.
CONTACT THE FACTORY FOR ADDITIONAL INFORMATION AND
A CERTIFIED DIMENSION PRINT

HORIZONTAL KEYWAY: 7/8 x 7/16
VERTICAL KEYWAY: 1 3/4 x 7/8
NORMAL ROTATION: BOTH SHAFTS CLOCKWISE



SERVICE HORSEPOWER RATINGS (2.0 SERVICE FACTOR)

Input (RPM)	Nominal Ratio								
	13	14	15	15.5	16	17	18	19	20
1750	500	480	460	454	440	420	400	380	360
1450	414	398	381	376	365	348	331	315	298
1160	331	318	305	301	292	278	265	252	239

THRUST CAPACITY: _____ 17000 lbs.
 OIL TYPE: _____ ISO 220 / AGMA 5 or 5S / No EP additives
 OIL CAPACITY: _____ 53 gallons (201 L)
 WEIGHT, DOMESTIC SHIPPING: _____ 6690 lbs.
 WEIGHT, EXPORT SHIPPING w/EXPORT BOX: _____ 6970 lbs.
 EXPORT BOX DIMENSIONS (L x W x H): _____ 70 x 46 x 55 (inches)