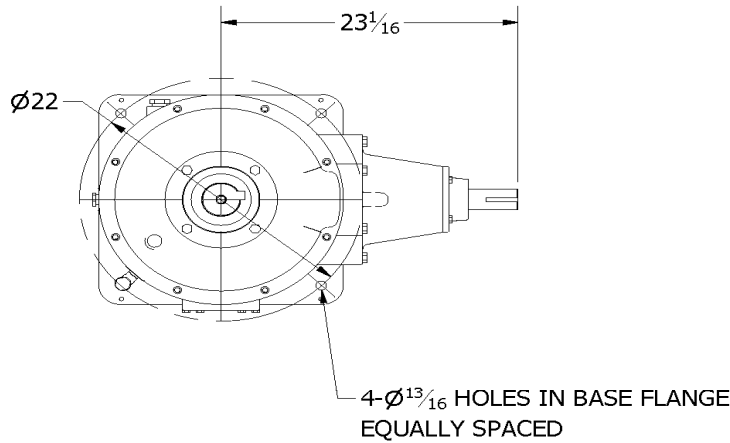


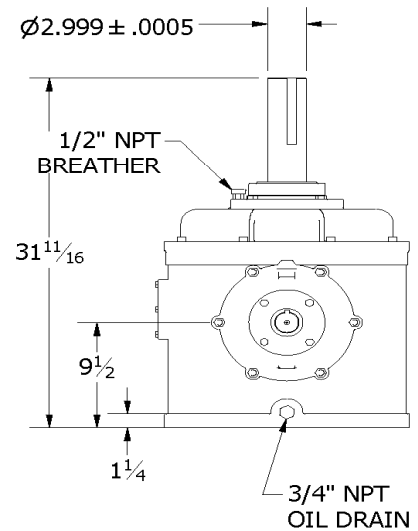
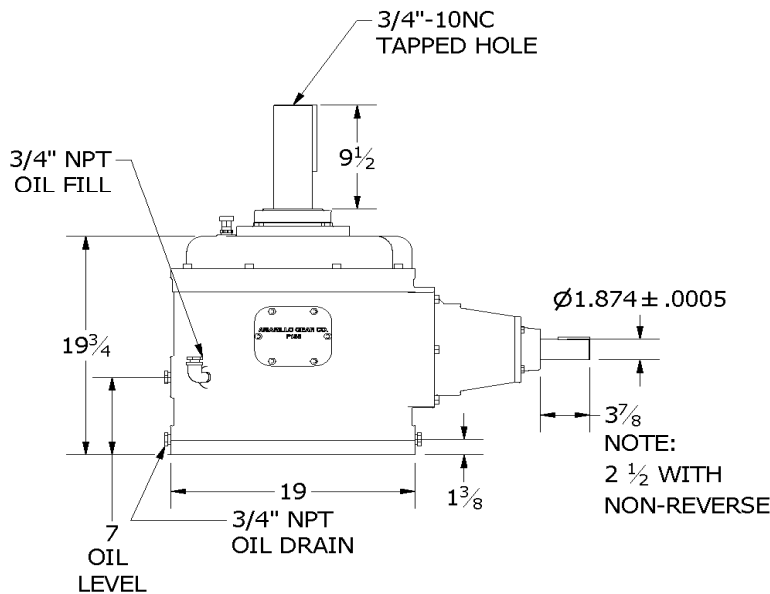
Amarillo Series Fan Drive

Model 155



Amarillo Gear Company LLC reserves the right to make design modifications to our gear drives that may change the given dimensions. The dimensions shown in this document may not exactly reflect the dimensions of gear drives currently being offered. Request a *certified dimension print* for construction use.

HORIZONTAL KEYWAY: 3/8 x 3/16
VERTICAL KEYWAY: 3/4 x 3/8
NORMAL ROTATION: BOTH SHAFTS CLOCKWISE



SERVICE HORSEPOWER RATINGS (2.0 SERVICE FACTOR)

Input (RPM)	Nominal Ratio								
	5.0	5.5	6.0	6.5	7.0	7.5	8.0	8.5	9.0
1750	110	100	90	85	75	65	55	50	45
1450	91	83	75	70	62	54	46	41	37
1160	73	66	60	56	50	43	36	33	30

THRUST CAPACITY: _____ 4700 lbs.
OIL TYPE: _____ ISO 220 / AGMA 5 or 5S / No EP additives
OIL CAPACITY: _____ 5.5 gallons (21 L)
WEIGHT, DOMESTIC SHIPPING: _____ 705 lbs.
WEIGHT, EXPORT SHIPPING w/EXPORT BOX: _____ 855 lbs.
EXPORT BOX DIMENSIONS (L x W x H): _____ 40 x 27 x 41 (inches)